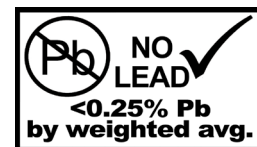


N, PP, & PVC SERIES-NYLON, POLYPROPYLENE, & PVC PLASTIC INSERT FITTINGS

SPECIFICATIONS:

- Manufactured to ASTM Standard D2609 (Standard Specification for Plastic Insert Fittings for Polyethylene (PE) Plastic Pipe)
- Meet or exceed the standard burst requirements in ASTM-D2609
- Threads conform to ANSI B1.20.1
- Operating temperature range: 33-73.4 °F (1-23 °C)
- Plastic insert fittings are not to be used with compressed gas
- Plastic insert fittings are intended for cold water applications, including well service and potable water applications
- For operating pressures over that stated maximum or temperatures over 73.4 °F (23 °C), the use of metal insert fittings is highly recommended
- Plastic insert fittings must be protected from freezing temperatures where fluid expansion due to freezing could occur



CERTIFICATIONS:

- NSF/ANSI Standard 61 Certified (Drinking Water System Components - Health Effects)
- NSF/ANSI Standard 14 Certified (Plastics Piping System Components and Related Materials)

PRESSURE RATINGS FOR NYLON, PP, & PVC INSERT FITTINGS		
Nominal Pipe Size	Maximum Operating Pressure at 73.4 °F	
	PSI	kPa
1/2"	200	1378
3/4"	200	1378
1"	200	1378
1-1/4"	200	1378
1-1/2"	160	1103
2"	160	1103
2-1/2"	125	861
3"	125	861
4"	125	861

ASTM D2609 BURST PRESSURE REQUIREMENTS - NYLON, PP, & PVC INSERT FITTINGS		
Nominal Pipe Size	Minimum Burst Strength for Water at 73.4 °F	
	PSI	kPa
1/2"	750	5171
3/4"	630	4344
1"	630	4344
1-1/4"	630	4344
1-1/2"	500	3447
2"	500	3447
2-1/2"	400	2758
3"	400	2758
4"	400	2758

Pressure rating charts should be used as a guide only.



25 Whaley Avenue, PO Box 310, Milverton, ON CANADA N0K 1M0
Tel: 800-561-3164

boshart.com ♦ blog.boshart.com

© 2020 Boshart Industries Inc. All Rights Reserved.

BII-N,PP,PVC-0823(475)

NYLON PLASTIC INSERT FITTINGS

Nylon insert fittings are tough, durable, and can withstand stretching and twisting. They are great for water well, underground, barn, livestock, and watering system applications. Nylon insert fittings should not be exposed to direct sunlight as the ultraviolet rays will cause the fittings to become brittle.

Adapter - MPT x Poly Insert Barb

Part No.	Nominal Pipe Size	Weight	
		lb	g
NA-05	1/2"	0.03	13.6
NA-07	3/4"	0.04	18.1
NA-10	1"	0.05	22.7
NA-12	1-1/4"	0.09	40.8
NA-15	1-1/2"	0.11	49.9
NA-20	2"	0.17	77.1



90° Elbow - MPT x Poly Insert Barb

Part No.	Nominal Pipe Size	Weight	
		lb	g
NME-05	1/2"	0.04	18.1
NME-07	3/4"	0.05	22.7
NME-10	1"	0.07	31.8
NME-12	1-1/4"	0.12	54.4
NME-15	1-1/2"	0.19	86.2



Coupling - Poly Insert Barb x Poly Insert Barb

Part No.	Nominal Pipe Size	Weight	
		lb	g
NC-05	1/2"	0.02	9.07
NC-07	3/4"	0.04	18.1
NC-10	1"	0.05	22.7
NC-12	1-1/4"	0.08	36.3
NC-15	1-1/2"	0.10	45.4
NC-20	2"	0.15	68.0



90° Elbow - Poly Insert Barb x Poly Insert Barb

Part No.	Nominal Pipe Size	Weight	
		lb	g
NE-05	1/2"	0.03	13.6
NE-07	3/4"	0.05	22.7
NE-10	1"	0.08	36.3
NE-12	1-1/4"	0.11	49.9
NE-15	1-1/2"	0.15	68.0
NE-20	2"	0.24	108.9



Tee - Poly Insert Barb x Poly Insert Barb x Poly Insert Barb

Part No.	Nominal Pipe Size	Weight	
		lb	g
NT-05	1/2"	0.05	22.7
NT-07	3/4"	0.07	31.8
NT-10	1"	0.11	49.9
NT-12	1-1/4"	0.17	77.1
NT-15	1-1/2"	0.24	108.9
NT-20	2"	0.30	136.1



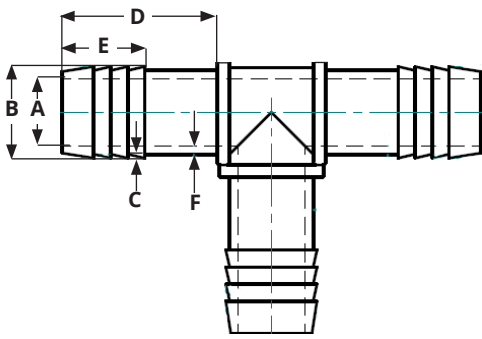
BOSHART
INDUSTRIES

© 2020 Boshart Industries Inc. All Rights Reserved.

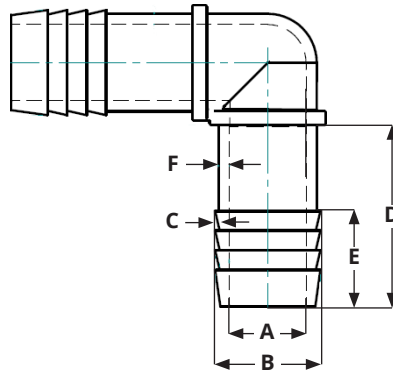
25 Whaley Avenue, PO Box 310, Milverton, ON CANADA N0K 1M0
Tel: 800-561-3164

boshart.com ♦ blog.boshart.com

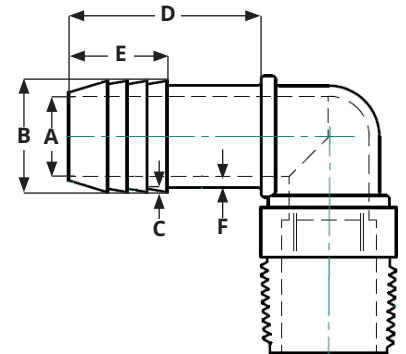
NYLON PLASTIC INSERT FITTINGS



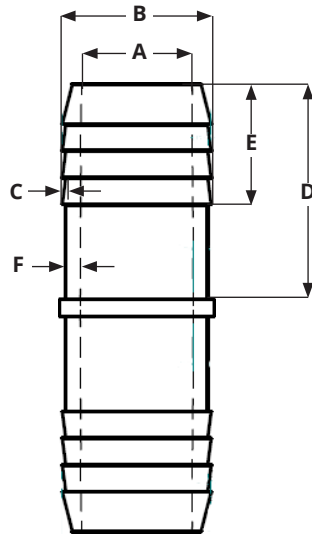
NT Series - Insert Tee



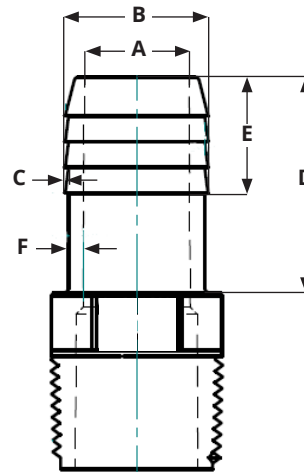
NE Series - Insert Elbow



NME Series - Male Insert Elbow



NC Series - Insert Coupling



NA Series - Male Insert Adapter

DIMENSIONS TO ASTM D2609

Nominal Pipe Size	Inside Diameter (A)		Outside Diameter (B)				Depth (C)		Insert Length (D)		Length (E)		Wall Thickness (F)	
	min		min		max		min		min		min		min	
	in	mm	in	mm	in	mm	in	mm	in	mm	in	mm	in	mm
1/2"	0.406	10.31	0.635	16.13	0.665	16.89	0.015	0.381	1.250	31.75	0.750	19.05	0.080	2.03
3/4"	0.562	14.27	0.835	21.21	0.865	21.97	0.015	0.381	1.250	31.75	0.750	19.05	0.085	2.03
1"	0.750	19.05	1.065	27.05	1.095	27.81	0.020	0.508	1.250	31.75	0.750	19.05	0.100	2.54
1-1/4"	0.995	25.27	1.395	35.43	1.425	36.20	0.025	0.635	1.250	31.75	0.750	19.05	0.110	2.79
1-1/2"	1.125	28.58	1.630	41.40	1.665	42.29	0.030	0.762	1.500	38.10	0.750	19.05	0.110	2.79
2"	1.656	42.06	2.085	52.96	2.125	53.98	0.030	0.762	1.500	38.10	0.750	19.05	0.110	2.79



© 2020 Boshart Industries Inc. All Rights Reserved.

25 Whaley Avenue, PO Box 310, Milverton, ON CANADA N0K 1M0
Tel: 800-561-3164

boshart.com ♦ blog.boshart.com

POLYPROPYLENE PLASTIC INSERT FITTINGS

Poly insert fittings are economical and highly chemically resistant. They are great for pool and spa applications. Poly fittings can be chosen for use with aggressive chemicals or solvents that are not suited for PVC. Polypropylene is tough and fatigue resistant, although it is not as durable as nylon or PVC.

Adapter - MPT x Poly Insert Barb

Part No.	Nominal Pipe Size		Weight	
	MPT	Poly	lb	g
PPA-05	1/2"	1/2"	0.02	9.07
PPA-07	3/4"	3/4"	0.03	13.6
PPA-10	1"	1"	0.04	18.1
PPA-12	1-1/4"	1-1/4"	0.07	31.8
PPA-15	1-1/2"	1-1/2"	0.06	27.2
PPA-20	2"	2"	0.12	54.4
PPIA-0507	1/2"	3/4"	0.03	13.6
PPIA-0710	3/4"	1"	0.04	18.1
PPRA-0705	3/4"	1/2"	0.02	9.07
PPRA-1007	1"	3/4"	0.04	18.1
PPRA-1210	1-1/4"	1"	0.06	27.2
PPRA-1512	1-1/2"	1-1/4"	0.07	31.8



Coupling - Poly Insert Barb x Poly Insert Barb

Part No.	Nominal Pipe Size		Weight	
	Poly	Poly	lb	g
PPC-05	1/2"	1/2"	0.02	9.07
PPC-07	3/4"	3/4"	0.03	13.6
PPC-10	1"	1"	0.05	22.7
PPC-12	1-1/4"	1-1/4"	0.07	31.8
PPC-15	1-1/2"	1-1/2"	0.08	36.3
PPC-20	2"	2"	0.13	59.0
PPRC-0705	3/4"	1/2"	0.03	13.6
PPRC-1005	1"	1/2"	0.04	18.1
PPRC-1007	1"	3/4"	0.04	18.1
PPRC-1210	1-1/4"	1"	0.06	27.2
PPRC-1512	1-1/2"	1-1/4"	0.07	31.8



Cutoff Nipple - MPT x MPT

Part No.	Nominal Pipe Size	Length	Weight	
			lb	g
PPCN-0560	1/2"	6"	0.05	22.7
PPCN-0760	3/4"	6"	0.06	27.2



Plug - Poly Insert Barb

Part No.	Nominal Pipe Size	Weight	
		lb	g
PPP-05	1/2"	0.01	4.54
PPP-07	3/4"	0.02	9.07
PPP-10	1"	0.03	13.6



BOSHART
INDUSTRIES

© 2020 Boshart Industries Inc. All Rights Reserved.

25 Whaley Avenue, PO Box 310, Milverton, ON CANADA N0K 1M0
Tel: 800-561-3164

boshart.com ♦ blog.boshart.com

POLYPROPYLENE PLASTIC INSERT FITTINGS

90° Elbow - Poly Insert Barb x Poly Insert Barb

Part No.	Nominal Pipe Size	Weight	
		lb	g
PPE-05	1/2"	0.02	9.07
PPE-07	3/4"	0.04	18.1
PPE-10	1"	0.06	27.2
PPE-12	1-1/4"	0.10	45.4
PPE-15	1-1/2"	0.12	54.4
PPE-20	2"	0.19	86.2



90° Elbow - MPT x Poly Insert Barb

Part No.	Nominal Pipe Size	Weight	
		lb	g
PPME-05	1/2"	0.03	13.6
PPME-07	3/4"	0.04	18.1
PPME-10	1"	0.06	27.2
PPME-15	1-1/2"	0.14	63.5
PPME-20	2"	0.25	113.4



Tee - Poly Insert Barb x Poly Insert Barb x Poly Insert Barb

Part No.	Nominal Pipe Size	Weight	
		lb	g
PPT-05	1/2"	0.04	18.1
PPT-07	3/4"	0.06	27.2
PPT-10	1"	0.09	40.8
PPT-12	1-1/4"	0.13	59.0
PPT-15	1-1/2"	0.19	86.2
PPT-20	2"	0.23	104.3



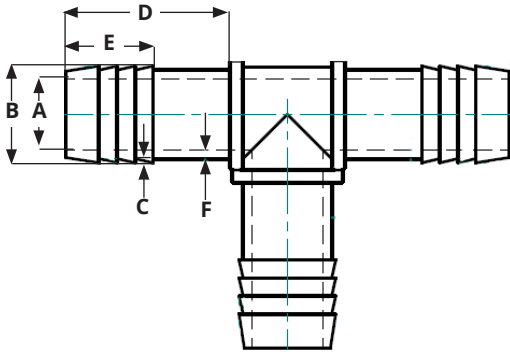
BOSHART
INDUSTRIES

© 2020 Boshart Industries Inc. All Rights Reserved.

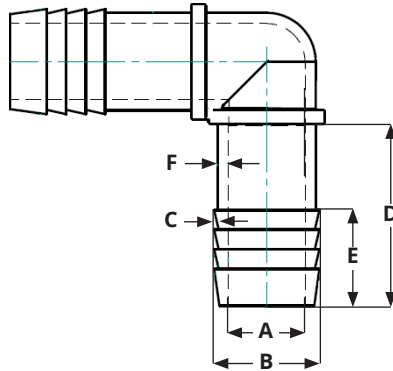
25 Whaley Avenue, PO Box 310, Milverton, ON CANADA N0K 1M0
Tel: 800-561-3164

boshart.com ♦ blog.boshart.com

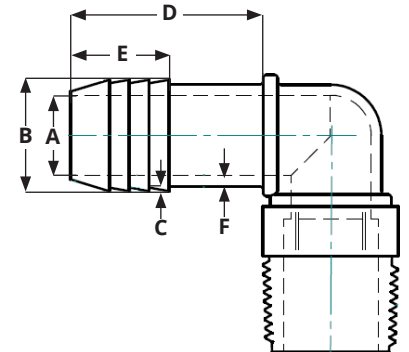
POLYPROPYLENE PLASTIC INSERT FITTINGS



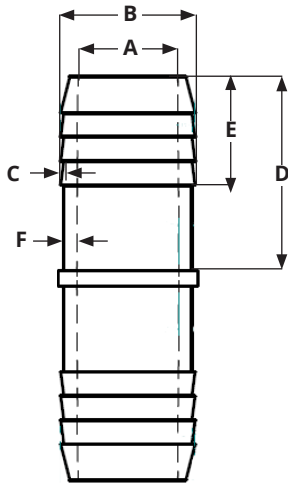
PPT Series - Insert Tee



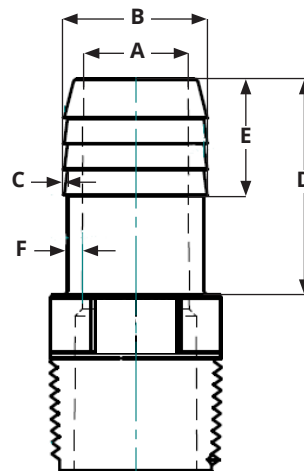
PPE Series - Insert Elbow



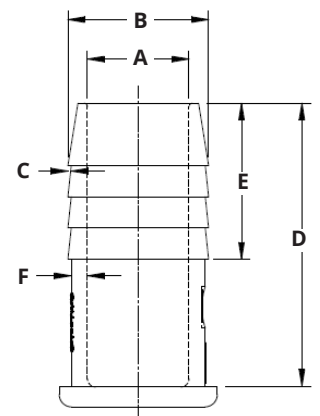
PPME Series - Male Insert Elbow



PPC Series - Insert Coupling



PPA Series - Male Insert Adapter



PPP Series - Plug

DIMENSIONS TO ASTM D2609

Nominal Pipe Size	Inside Diameter (A)		Outside Diameter (B)				Depth (C)		Insert Length (D)		Length (E)		Wall Thickness (F)	
	min		min		max		min		min		min		min	
	in	mm	in	mm	in	mm	in	mm	in	mm	in	mm	in	mm
1/2"	0.406	10.31	0.635	16.13	0.665	16.89	0.015	0.381	1.250	31.75	0.750	19.05	0.080	2.03
3/4"	0.562	14.27	0.835	21.21	0.865	21.97	0.015	0.381	1.250	31.75	0.750	19.05	0.085	2.16
1"	0.750	19.05	1.065	27.05	1.095	27.81	0.020	0.508	1.250	31.75	0.750	19.05	0.100	2.54
1-1/4"	0.995	25.27	1.395	35.43	1.425	36.20	0.025	0.635	1.250	31.75	0.750	19.05	0.110	2.79
1-1/2"	1.125	28.58	1.630	41.40	1.665	42.29	0.030	0.762	1.500	38.10	0.750	19.05	0.110	2.79
2"	1.656	42.06	2.085	52.96	2.125	53.98	0.030	0.762	1.500	38.10	0.750	19.05	0.110	2.79

BOSHART
INDUSTRIES

© 2020 Boshart Industries Inc. All Rights Reserved.

25 Whaley Avenue, PO Box 310, Milverton, ON CANADA N0K 1M0
Tel: 800-561-3164

boshart.com ♦ blog.boshart.com

PVC PLASTIC INSERT FITTINGS

PVC insert fittings are tough, rigid, and chemically resistant. They are great for residential, industrial, and commercial irrigation applications. PVC is not affected by ultraviolet rays so it is suitable for direct sun exposure. Because PVC is very rigid, it can be used for irrigation systems where lines are not buried below the frost line. If small amounts of water are left in the line to freeze, the rigidity of the PVC fitting will ensure the ice is forced out lengthwise as opposed to expanding the diameter of the fitting and a positive seal will be maintained.

Adapter - MPT x Poly Insert Barb

Part No.	Nominal Pipe Size		Weight	
	MPT	Poly	lb	g
PVCA-05	1/2"	1/2"	0.03	13.6
PVCA-07	3/4"	3/4"	0.05	22.7
PVCA-10	1"	1"	0.07	31.8
PVCA-12	1-1/4"	1-1/4"	0.11	49.9
PVCA-15	1-1/2"	1-1/2"	0.14	63.5
PVCA-20	2"	2"	0.18	81.6
PVCA-25	2-1/2"	2-1/2"	0.33	149.7
PVCA-30	3"	3"	0.49	222.3
PVCA-40	4"	4"	0.85	385.6
PVCIA-0507	1/2"	3/4"	0.04	18.1
PVCIA-0510	1/2"	1"	0.06	27.2
PVCIA-0710	3/4"	1"	0.07	31.8
PVCIA-1012	1"	1-1/4"	0.09	40.8
PVCIA-1015	1"	1-1/2"	0.11	49.9
PVCIA-1215	1-1/4"	1-1/2"	0.12	54.4
PVCIA-1520	1-1/2"	2"	0.18	81.6
PVCRA-0705	3/4"	1/2"	0.04	18.1
PVCRA-1007	1"	3/4"	0.06	27.2
PVCRA-1207	1-1/4"	3/4"	0.09	40.8
PVCRA-1210	1-1/4"	1"	0.10	45.4
PVCRA-1510	1-1/2"	1"	0.12	54.4
PVCRA-1512	1-1/2"	1-1/4"	0.13	59.0
PVCRA-2015	2"	1-1/2"	0.16	72.6



Adapter - FPT x Poly Insert Barb

Part No.	Nominal Pipe Size	Weight	
		lb	g
PVCFA-05	1/2"	0.04	18.1
PVCFA-07	3/4"	0.05	22.7
PVCFA-10	1"	0.09	40.8
PVCFA-12	1-1/4"	0.13	59.0
PVCFA-15	1-1/2"	0.16	72.6
PVCFA-20	2"	0.19	86.2



Coupling - Poly Insert Barb x Poly Insert Barb

Part No.	Nominal Pipe Size		Weight	
	Poly	Poly	lb	g
PVCC-05	1/2"	1/2"	0.03	13.6
PVCC-07	3/4"	3/4"	0.04	18.1
PVCC-10	1"	1"	0.07	31.8
PVCC-12	1-1/4"	1-1/4"	0.09	40.8
PVCC-15	1-1/2"	1-1/2"	0.12	54.4
PVCC-20	2"	2"	0.17	77.1
PVCC-30	3"	3"	0.41	186.0
PVCC-40	4"	4"	0.64	290.3
PVCRC-0705	3/4"	1/2"	0.04	18.1
PVCRC-1005	1"	1/2"	0.06	27.2
PVCRC-1007	1"	3/4"	0.06	27.2
PVCRC-1207	1-1/4"	3/4"	0.08	36.3
PVCRC-1210	1-1/4"	1"	0.08	36.3
PVCRC-1507	1-1/2"	3/4"	0.11	49.9
PVCRC-1510	1-1/2"	1"	0.11	49.9
PVCRC-1512	1-1/2"	1-1/4"	0.11	49.9
PVCRC-2010	2"	1"	0.13	59.0
PVCRC-2012	2"	1-1/4"	0.14	63.5
PVCRC-2015	2"	1-1/2"	0.15	68.0



PVC PLASTIC INSERT FITTINGS

Plug - Poly Insert Barb

Part No.	Nominal Pipe Size	Weight	
		lb	g
PVCP-05	1/2"	0.02	9.07
PVCP-07	3/4"	0.03	13.6
PVCP-10	1"	0.04	18.1
PVCP-12	1-1/4"	0.06	27.2
PVCP-15	1-1/2"	0.07	31.8
PVCP-20	2"	0.10	45.4



90° Elbow - Poly Insert Barb x Poly Insert Barb

Part No.	Nominal Pipe Size		Weight	
	Poly	Poly	lb	g
PVCE-05	1/2"	1/2"	0.04	18.1
PVCE-07	3/4"	3/4"	0.06	27.2
PVCE-10	1"	1"	0.09	40.8
PVCE-12	1-1/4"	1-1/4"	0.14	63.5
PVCE-15	1-1/2"	1-1/2"	0.19	86.2
PVCE-20	2"	2"	0.25	113.4
PVCE-30	3"	3"	0.68	308.4
PVCRE-0705	3/4"	1/2"	0.05	22.7
PVCRE-1007	1"	3/4"	0.08	36.3
PVCRE-1210	1-1/4"	1"	0.11	49.9
PVCRE-1512	1-1/2"	1-1/4"	0.18	81.6
PVCRE-2015	2"	1-1/2"	0.20	90.7



90° Elbow - Poly Insert Barb x FPT

Part No.	Nominal Pipe Size		Weight	
	Poly	FPT	lb	g
PVCFE-05	1/2"	1/2"	0.06	27.2
PVCFE-07	3/4"	3/4"	0.08	36.3
PVCFE-10	1"	1"	0.12	54.4
PVCFE-12	1-1/4"	1-1/4"	0.17	77.1
PVCFE-15	1-1/2"	1-1/2"	0.22	99.8
PVCFE-20	2"	2"	0.35	158.8
PVCFRE-0705	3/4"	1/2"	0.07	31.8
PVCFRE-1005	1"	1/2"	0.08	36.3
PVCFRE-1007	1"	3/4"	0.09	40.8
PVCFRE-1205	1-1/4"	1/2"	0.11	49.9
PVCFRE-1207	1-1/4"	3/4"	0.12	54.4
PVCFRE-1210	1-1/4"	1"	0.11	49.9
PVCFRE-1510	1-1/2"	1"	0.19	86.2
PVCFRE-1512	1-1/2"	1-1/4"	0.18	81.6
PVCFRE-2015	2"	1-1/2"	0.20	90.7



90° Elbow - Poly Insert Barb x MPT

Part No.	Nominal Pipe Size		Weight	
	Poly	MPT	lb	g
PVCM E-05	1/2"	1/2"	0.05	22.7
PVCM E-07	3/4"	3/4"	0.06	27.2
PVCM E-10	1"	1"	0.09	40.8
PVCM E-12	1-1/4"	1-1/4"	0.15	68.0
PVCM E-15	1-1/2"	1-1/2"	0.19	86.2
PVCM E-20	2"	2"	0.25	113.4
PVCMRE-0705	3/4"	1/2"	0.05	22.7



BOSHART
INDUSTRIES

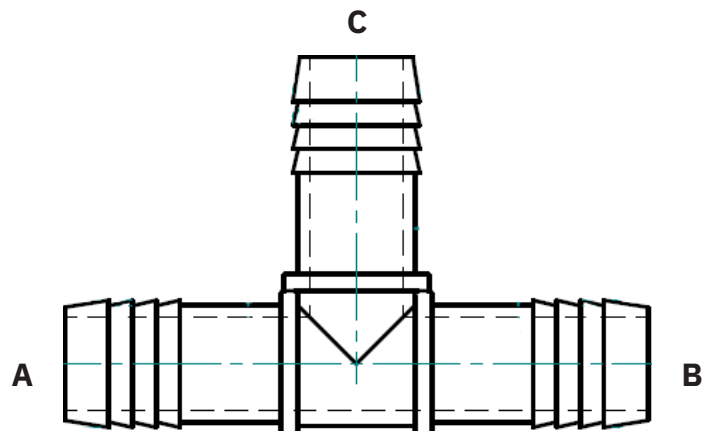
25 Whaley Avenue, PO Box 310, Milverton, ON CANADA N0K 1M0
Tel: 800-561-3164

boshart.com ♦ blog.boshart.com

PVC PLASTIC INSERT FITTINGS

Tee - Poly Insert Barb x Poly Insert Barb x Poly Insert Barb

Part No.	Nominal Pipe Size			Weight	
	Poly (A)	Poly (B)	Poly (C)	lb	g
PVCT-05	1/2"	1/2"	1/2"	0.05	22.7
PVCT-07	3/4"	3/4"	3/4"	0.09	40.8
PVCT-10	1"	1"	1"	0.12	54.4
PVCT-12	1-1/4"	1-1/4"	1-1/4"	0.17	77.1
PVCT-15	1-1/2"	1-1/2"	1-1/2"	0.25	113.4
PVCT-20	2"	2"	2"	0.30	136.1
PVCT-30	3"	3"	3"	0.73	331.1
PVCRT-050507	1/2"	1/2"	3/4"	0.06	27.2
PVCRT-070505	3/4"	1/2"	1/2"	0.06	27.2
PVCRT-070705	3/4"	3/4"	1/2"	0.07	31.8
PVCRT-070710	3/4"	3/4"	1"	0.10	45.4
PVCRT-100705	1"	3/4"	1/2"	0.09	40.8
PVCRT-100707	1"	3/4"	3/4"	0.09	40.8
PVCRT-101005	1"	1"	1/2"	0.10	45.4
PVCRT-101007	1"	1"	3/4"	0.11	49.9
PVCRT-101012	1"	1"	1-1/4"	0.14	63.5
PVCRT-121007	1-1/4"	1"	3/4"	0.12	54.4
PVCRT-121010	1-1/4"	1"	1"	0.12	54.4
PVCRT-121205	1-1/4"	1-1/4"	1/2"	0.15	68.0
PVCRT-121207	1-1/4"	1-1/4"	3/4"	0.15	68.0
PVCRT-121210	1-1/4"	1-1/4"	1"	0.17	77.1
PVCRT-151505	1-1/2"	1-1/2"	1/2"	0.19	86.2
PVCRT-151507	1-1/2"	1-1/2"	3/4"	0.18	81.6
PVCRT-151510	1-1/2"	1-1/2"	1"	0.20	90.7
PVCRT-151512	1-1/2"	1-1/2"	1-1/4"	0.21	95.3
PVCRT-202005	2"	2"	1/2"	0.21	95.3
PVCRT-202007	2"	2"	3/4"	0.23	104.3
PVCRT-202010	2"	2"	1"	0.23	104.3
PVCRT-202012	2"	2"	1-1/4"	0.26	117.9
PVCRT-202015	2"	2"	1-1/2"	0.28	127.0



PVC PLASTIC INSERT FITTINGS

Tee - Poly Insert Barb x Poly Insert Barb x FPT

Part No.	Nominal Pipe Size			Weight	
	Poly	Poly	FPT	lb	g
PVCFT-05	1/2"	1/2"	1/2"	0.07	31.8
PVCFT-07	3/4"	3/4"	3/4"	0.10	45.4
PVCFT-10	1"	1"	1"	0.16	72.6
PVCFT-12	1-1/4"	1-1/4"	1-1/4"	0.21	95.3
PVCFT-15	1-1/2"	1-1/2"	1-1/2"	0.28	127.0
PVCFT-20	2"	2"	2"	0.42	190.5
PVCFRT-070705	3/4"	3/4"	1/2"	0.09	40.8
PVCFRT-100705	1"	3/4"	1/2"	0.11	49.9
PVCFRT-100707	1"	3/4"	3/4"	0.11	49.9
PVCFRT-101005	1"	1"	1/2"	0.11	49.9
PVCFRT-101007	1"	1"	3/4"	0.11	49.9
PVCFRT-121205	1-1/4"	1-1/4"	1/2"	0.15	68.0
PVCFRT-121207	1-1/4"	1-1/4"	3/4"	0.17	77.1
PVCFRT-121210	1-1/4"	1-1/4"	1"	0.17	77.1
PVCFRT-151210	1-1/2"	1-1/4"	1"	0.22	99.8
PVCFRT-151505	1-1/2"	1-1/2"	1/2"	0.17	77.1
PVCFRT-151507	1-1/2"	1-1/2"	3/4"	0.18	81.6
PVCFRT-151510	1-1/2"	1-1/2"	1"	0.23	104.3
PVCFRT-151512	1-1/2"	1-1/2"	1-1/4"	0.25	113.4
PVCFRT-202005	2"	2"	1/2"	0.21	95.3
PVCFRT-202007	2"	2"	3/4"	0.24	108.9
PVCFRT-202010	2"	2"	1"	0.28	127.0
PVCFRT-202015	2"	2"	1-1/2"	0.36	163.3



Tee - Poly Insert Barb x Poly Insert Barb x MPT

Part No.	Nominal Pipe Size	Weight	
		lb	g
PVCMT-05	1/2"	0.05	22.7
PVCMT-07	3/4"	0.08	36.3
PVCMT-10	1"	0.13	59.0
PVCMT-12	1-1/4"	0.20	90.7
PVCMT-15	1-1/2"	0.24	108.9
PVCMT-20	2"	0.34	154.2

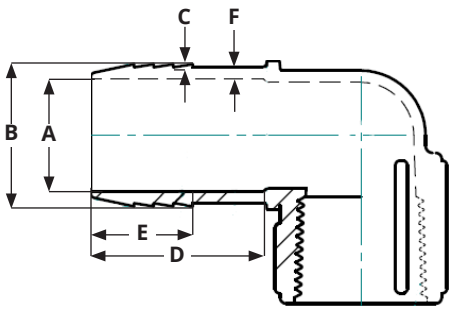


Cross - Poly Insert Barb

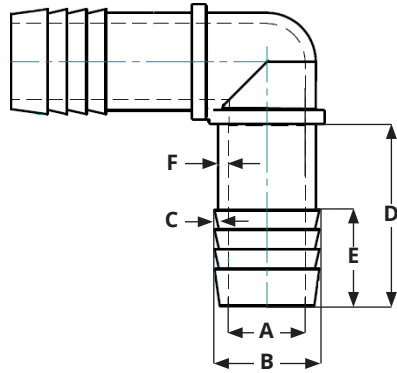
Part No.	Nominal Pipe Size	Weight	
		lb	g
PVCCR-07	3/4"	0.09	40.8
PVCCR-10	1"	0.15	68.0



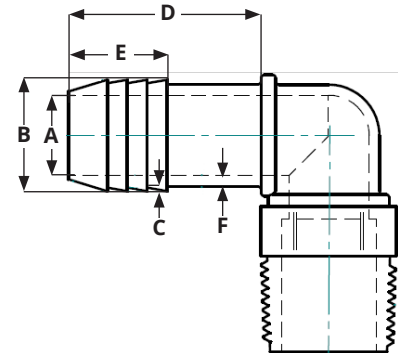
PVC PLASTIC INSERT FITTINGS



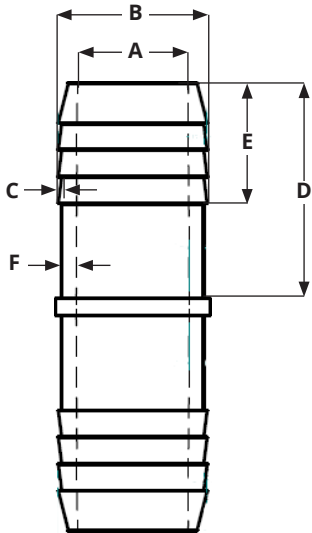
PVCFE Series - Female Insert Elbow



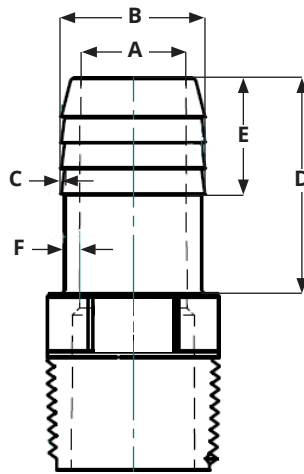
PVCE Series - Insert Elbow



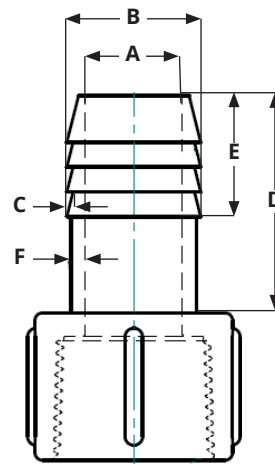
PVCME Series - Male Insert Elbow



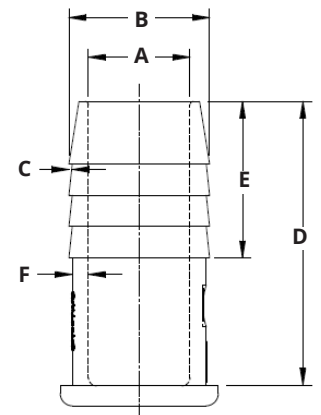
PVCC Series - Insert Coupling



PVCA Series - Male Insert Adapter



PVCFA Series - Female Insert Adapter



PVCP Series - Plug Adapter

DIMENSIONS TO ASTM D2609

Nominal Pipe Size	Inside Diameter (A)		Outside Diameter (B)				Depth (C)		Insert Length (D)		Length (E)		Wall Thickness (F)	
	min		min		max		min		min		min		min	
	in	mm	in	mm	in	mm	in	mm	in	mm	in	mm	in	mm
1/2"	0.406	10.31	0.635	16.13	0.665	16.89	0.015	0.381	1.250	31.75	0.750	19.05	0.080	2.032
3/4"	0.562	14.27	0.835	21.21	0.865	21.97	0.015	0.381	1.250	31.75	0.750	19.05	0.085	2.159
1"	0.750	19.05	1.065	27.05	1.095	27.81	0.020	0.508	1.250	31.75	0.750	19.05	0.100	2.540
1-1/4"	0.995	25.27	1.395	35.43	1.425	36.20	0.025	0.635	1.250	31.75	0.750	19.05	0.110	2.794
1-1/2"	1.125	28.58	1.630	41.40	1.665	42.29	0.030	0.762	1.500	38.10	0.750	19.05	0.110	2.794
2"	1.656	42.06	2.085	52.96	2.125	53.98	0.030	0.762	1.500	38.10	0.750	19.05	0.110	2.794

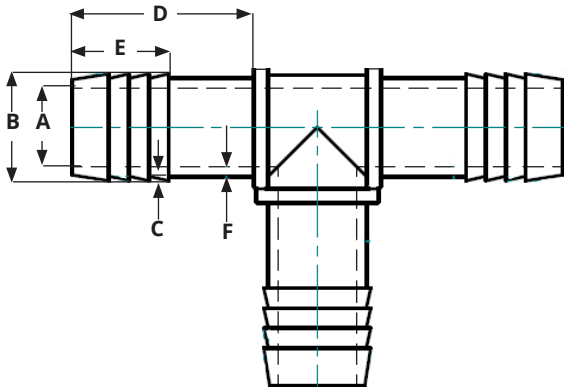


25 Whaley Avenue, PO Box 310, Milverton, ON CANADA N0K 1M0
Tel: 800-561-3164

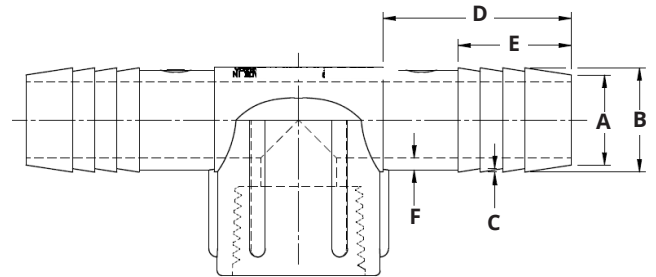
boshart.com ♦ blog.boshart.com

© 2020 Boshart Industries Inc. All Rights Reserved.

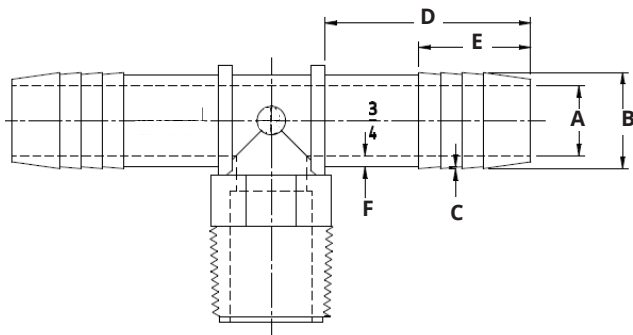
PVC PLASTIC INSERT FITTINGS



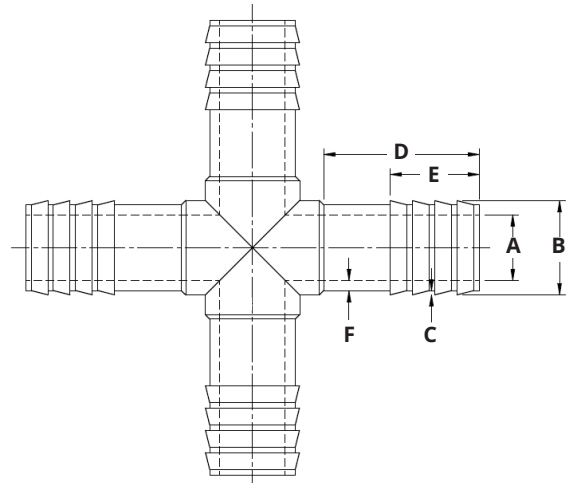
PVCT Series - Insert Tee



PVCFT Series - Female Insert Tee



PVCMT Series - Male Insert Tee



PVCCR Series - Cross

DIMENSIONS TO ASTM D2609

Nominal Pipe Size	Inside Diameter (A)		Outside Diameter (B)				Depth (C)		Insert Length (D)		Length (E)		Wall Thickness (F)	
	min		min		max		min		min		min		min	
	in	mm	in	mm	in	mm	in	mm	in	mm	in	mm	in	mm
1/2"	0.406	10.31	0.635	16.13	0.665	16.89	0.015	0.381	1.250	31.75	0.750	19.05	0.080	2.032
3/4"	0.562	14.27	0.835	21.21	0.865	21.97	0.015	0.381	1.250	31.75	0.750	19.05	0.085	2.159
1"	0.750	19.05	1.065	27.05	1.095	27.81	0.020	0.508	1.250	31.75	0.750	19.05	0.100	2.540
1-1/4"	0.995	25.27	1.395	35.43	1.425	36.20	0.025	0.635	1.250	31.75	0.750	19.05	0.110	2.794
1-1/2"	1.125	28.58	1.630	41.40	1.665	42.29	0.030	0.762	1.500	38.10	0.750	19.05	0.110	2.794
2"	1.656	42.06	2.085	52.96	2.125	53.98	0.030	0.762	1.500	38.10	0.750	19.05	0.110	2.794

For more information on installation, adjustment, repair & operation, visit Boshart Knowledge Base at

SUPPORT.BOSHART.COM



BOSHART
INDUSTRIES

© 2020 Boshart Industries Inc. All Rights Reserved.

25 Whaley Avenue, PO Box 310, Milverton, ON CANADA N0K 1M0
Tel: 800-561-3164

boshart.com ♦ blog.boshart.com